

# FRIGIDAIRE

## Factory Parts Catalog

Product No.	FGRC0844S100	FGRC0844S110
Series	MS3-Smart WiFi	MS3-Smart WiFi
Color	white	white
Volts	115	115
BTU-Cooling	8000	8000
Wiring Diagram	16020300002442	16020300002442
Owner's Guide	16120300a04827	16120300a04827
Installation Instructions	16120300a04826	16120300a04826
Market	North America	North America

### Frigidaire

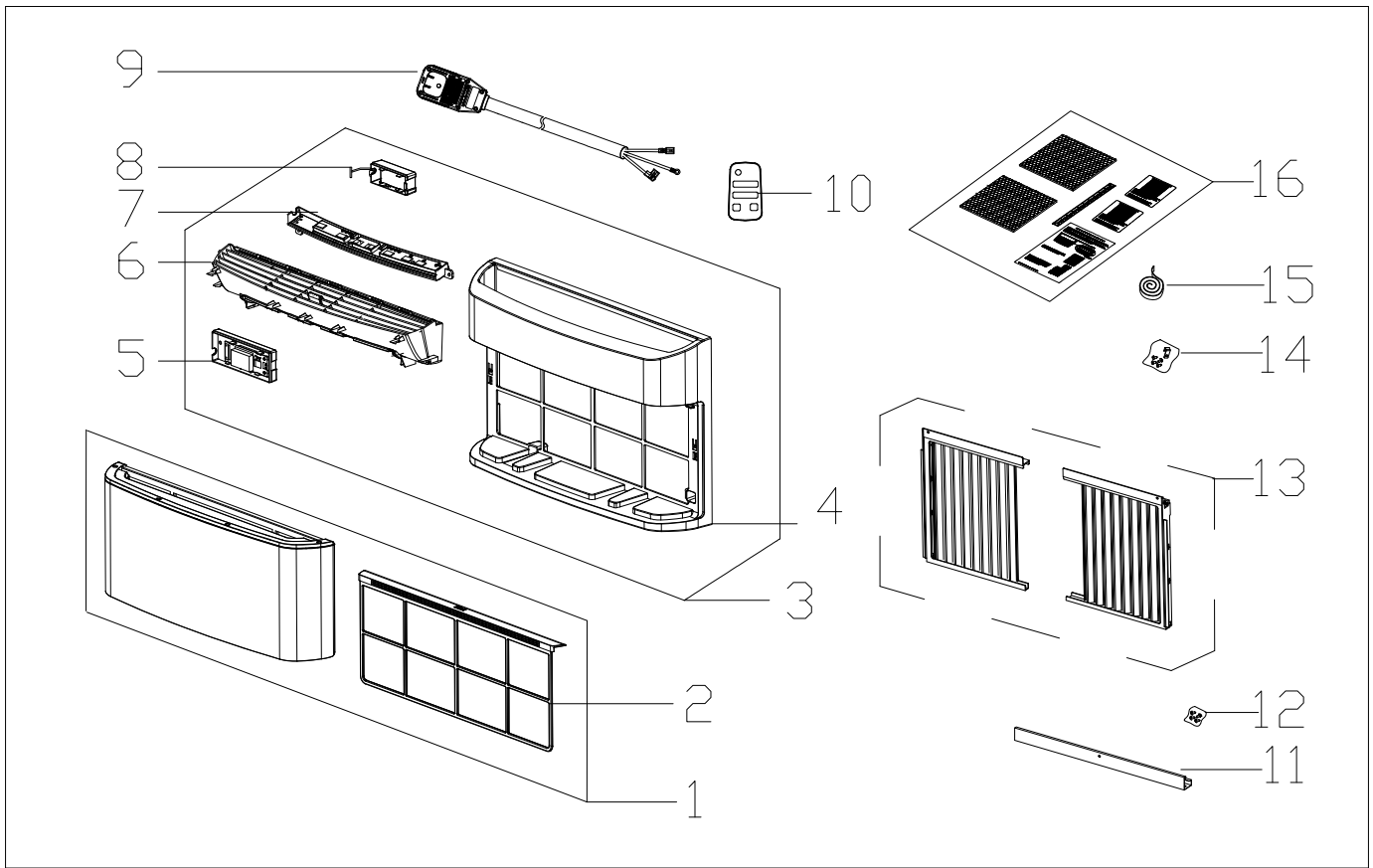
P.O. BOX 8020  
CHARLOTTE, NC 28262

### ROOM AIR CONDITIONER

Model No.  
FGRC0844S1

Publication No.  
**5995703237**  
18/05/30  
(EN/SERVICE/LF)  
099

**RECOMMENDED SPARE PARTS**



FGRC0844S1-Spares

## RECOMMENDED SPARE PARTS

---

*Model Index:* A FGRC0844S1 (FGRC0844S100)  
 B FGRC0844S1 (FGRC0844S110)

POS. NO	PART NO.		DESCRIPTION
1 #	5304504954	A B	Front panel, assembly, w/filter
2 #	5304504955	A B	Filter, air, plastic frame
3 #	5304504956	A B	Frame Assembly, w/WiFi module
4	5304504957	A B	Frame, front
5	5304504958	A B	Housing, display
6 #	5304504959	A B	Louver, exhaust
7 #	5304504960	A B	Control, touch pad
8 #	5304504961	A B	Module, WiFi
9 #	5304504719	A B	Power Cord, electric, LCDI
10 #	5304504962	A B	Remote Control, transmitter, Smart
11	5304504697	A B	Rail, shutter track, top
12	5304472191	A B	Screw Kit, top rail mount
13	5304504710	A B	Window Filler Kit, slider panels
14	5304491953	A B	Hardware, mounting, screws/locks
15	5304472211	A B	Seal Kit, foam, sash filler
16	5304504963	A B	Panel, insulation, R1

WIRING DIAGRAM

16020300002442

